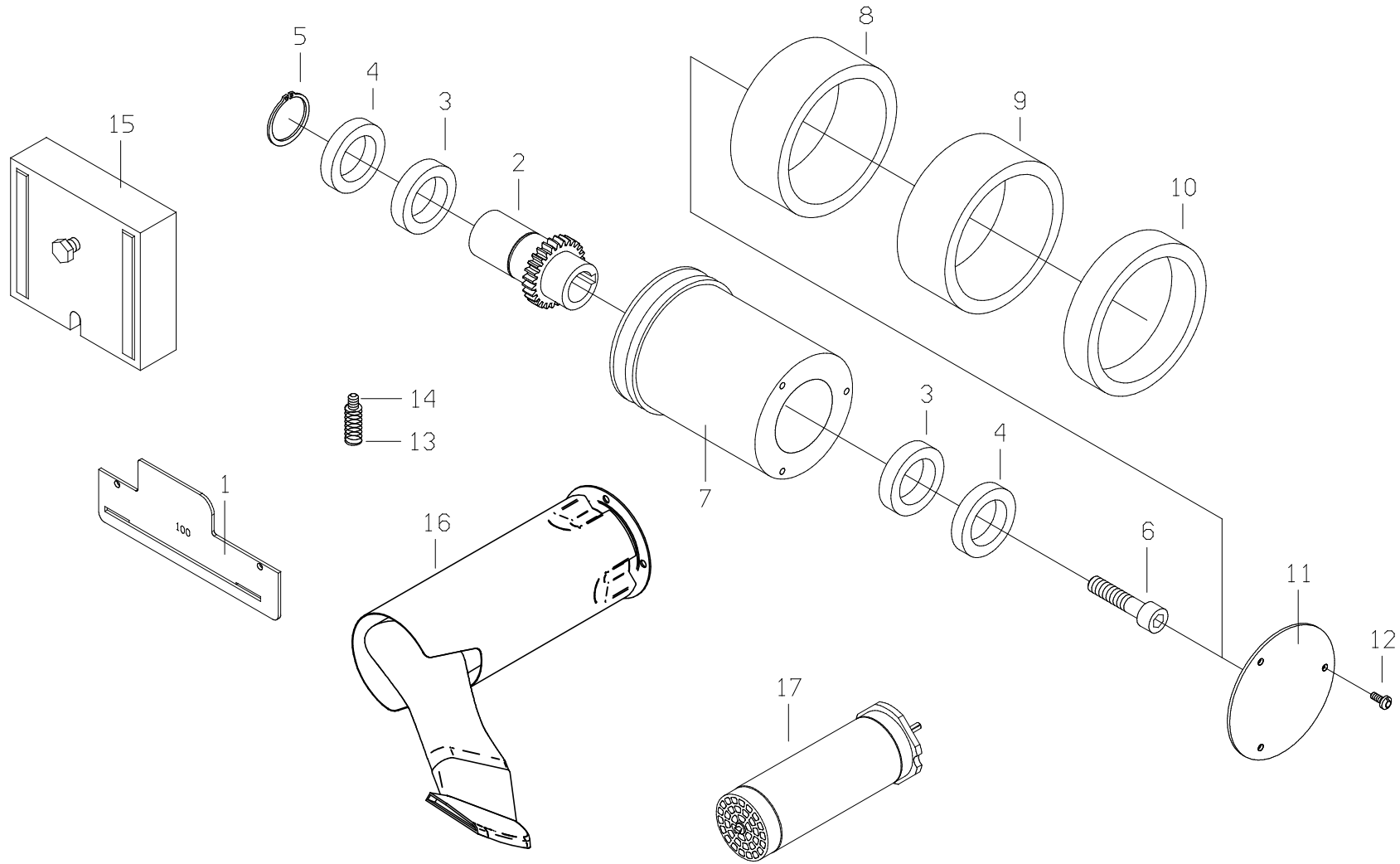
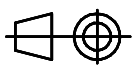


© This document and the information in it contained are property of LEISTER and as such, they are to be considered reserved.
 Therefore, any reproduction in any form or by any means, without prior written permission of LEISTER is forbidden.



Material:				Volume:		
Date	Drawn by	Bitumen accessories			Sheet	
10.10.2005	gdm				1	
Date	Checked by				of	
10.10.2005	gdm		1			
LEISTER Process Technologies CH-6060 Sarnen		Format	Scale		Drawing number	Revision
		A4Q	%		122.445	A

1

2